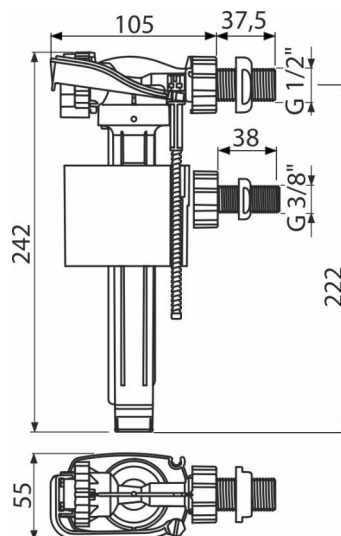


A150UNI

Side inlet fill valve, universal



Application

For installation on the side of the cistern
 For pre-wall installation systems
 For replacement
 Universal valve for plastic and ceramic flushing cisterns

Features

- Low sensitivity to the changing pressure in the water main
- Material: POM
- Adjustable water level
- Plastic thread length 38 mm
- Smooth closing without any shocks
- Built-in filter to trap dirt

Scope of supply

- Bayonet 1/2" with nut
- Bayonet 3/8" with nut
- Strainer for dirt
- Valve

Order number, Logistic information

Code	EAN	Weight (piece packing palett)	Dimensions (piece packing)	Quantity (packing palett)
A150UNI	8595580570637	0,20 13,85 241,6 kg	235x145x60 590x430x390 mm	70 1120 pcs

Warranty	Customs code	Norms
2/6 years *	84818019	EN 14124

Technical specifications

- Acoustic group I <20 dB
- Recommended operating pressure 0,5-0,8 MPa
- Working range 0,05-1,6 MPa
- Thread diameter 1/2 "
- Thread diameter 3/8 "