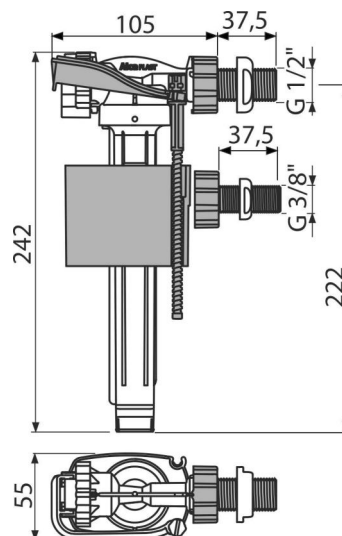


A160UNI

Side inlet fill valve metal thread, universal



Application

- For installation on the side of the cistern
- For pre-wall installation systems
- For replacement
- Universal valve for plastic and ceramic flushing cisterns

Features

- Metal thread length 38 mm
- Low sensitivity to the changing pressure in the water main
- Material: POM
- Adjustable water level
- Smooth closing without any shocks
- Built-in filter to trap dirt

Scope of supply

- Bayonet 1/2" with nut
- Bayonet 3/8" with nut
- Inlet fill valve holder
- Strainer for dirt
- Valve

Order number, Logistic information

Code	EAN	Weight (piece packing palett)	Dimensions (piece packing)	Quantity (packing palett)
A160UNI	8595580570644	0,41 14,77 256,4 kg	235x145x60 590x430x390 mm	36 576 pcs

Warranty	Customs code	Norms
2/6 years *	84818019	EN 14124

Technical specifications

- Acoustic group I <20 dB
- Recommended operating pressure 0,5-0,8 MPa
- Working range 0,05-1,6 MPa
- Thread diameter 1/2 "
- Thread diameter 3/8 "