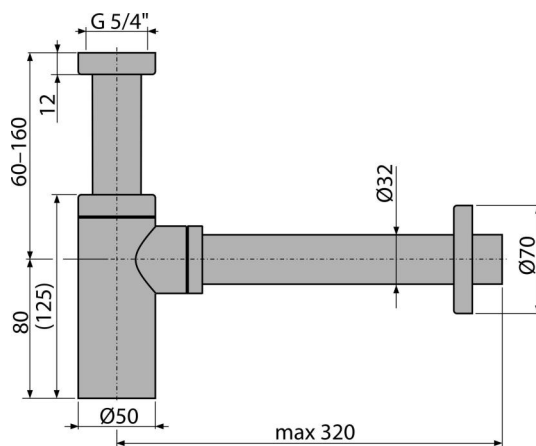
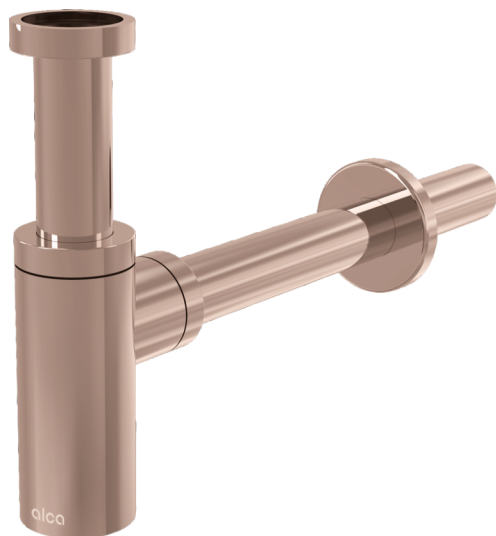


A400-RG-P

Wash-basin trap DESIGN DN32, RED GOLD-polished



Application

For wash-basin

Features

- Material: brass with PVD surface finish
- Connection to waste pipe Ø32 mm
- High scratch resistance

Scope of supply

- Nut to connect wash-basin waste 5/4"
- Metal rosette
- Waste and trap body

Order number, Logistic information

Code	EAN	Weight (piece packing palett)	Dimensions (piece packing)	Quantity (packing palett)
A400-RG-P	8595580571542	0,67 7,99 243,8 kg	330x70x150 590x240x390 mm	12 336 pcs

Warranty	Customs code	Norms
2/3 years *	74182000	EN 274

Technical specifications

- Flow rate 30 l/min