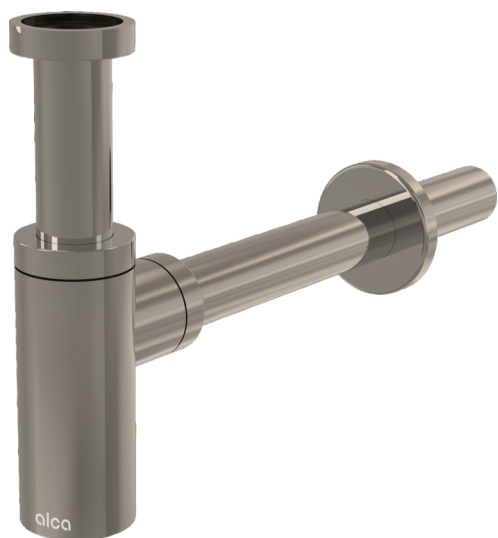


# A400-N-P

Wash-basin trap DESIGN DN32, NICKEL-polished



### Application

For wash-basin

### Features

- Material: brass with PVD surface finish
- Connection to waste pipe Ø32 mm
- High scratch resistance

### Scope of supply

- Nut to connect wash-basin waste 5/4"
- Metal rosette
- Waste and trap body

### Order number, Logistic information

Code	EAN	Weight (piece   packing   palett)	Dimensions (piece   packing)	Quantity (packing   palett)
A400-N-P	8595580571566	0,67   7,99   243,8 kg	330x70x150   590x240x390 mm	12   336 pcs

### Warranty

2/3 years \*

### Norms

EN 274

### Technical specifications

- Flow rate 30 l/min