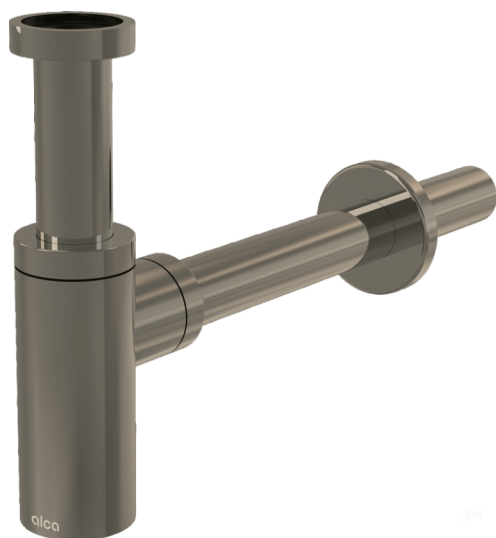


# A400-N-B

Wash-basin trap DESIGN DN32, NICKEL-brushed matt



**Application**  
For wash-basin

- Features**
- Material: brass with PVD surface finish
  - Connection to waste pipe Ø32 mm
  - High scratch resistance

- Scope of supply**
- Nut to connect wash-basin waste 5/4"
  - Metal rosette
  - Waste and trap body

**Order number, Logistic information**

Code	EAN	Weight (piece   packing   palett)	Dimensions (piece   packing)	Quantity (packing   palett)
A400-N-B	8595580571573	0,67   7,99   243,8 kg	330x70x150   590x240x390 mm	12   336 pcs

**Warranty**  
2/3 years \*      **Norms**  
EN 274

- Technical specifications**
- Flow rate 30 l/min