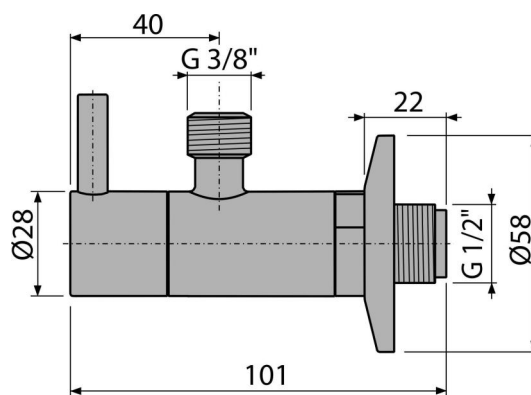
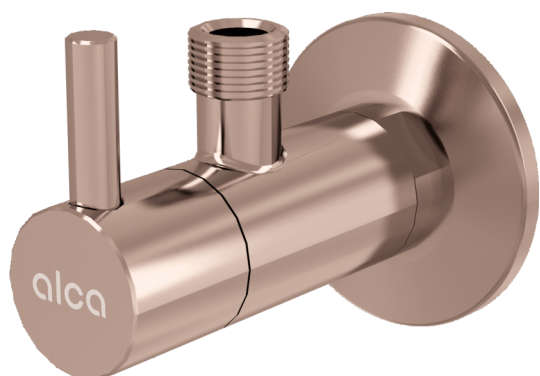


ARV001-RG-P

Angle valve with a filter 1/2"x3/8", RED GOLD-polished



Application

For installation on plaster
For the connection of deck mounted faucet

Features

- Design compatible with wash-basin trap A400-RG-P
- Round design
- Material: metal with PVD surface finish
- Includes dirt filter

Scope of supply

- Metal rosette
- Valve

Order number, Logistic information

Code	EAN	Weight (piece packing palett)	Dimensions (piece packing)	Quantity (packing palett)
ARV001-RG-P	8595580571702	0,23 13,80 406,4 kg	150x45x65 390x240x300 mm	60 1680 pcs

Warranty 2/3 years * **Customs code** 84818019

Technical specifications

- Hose connector G 3/8 "
- Thread G 1/2 "