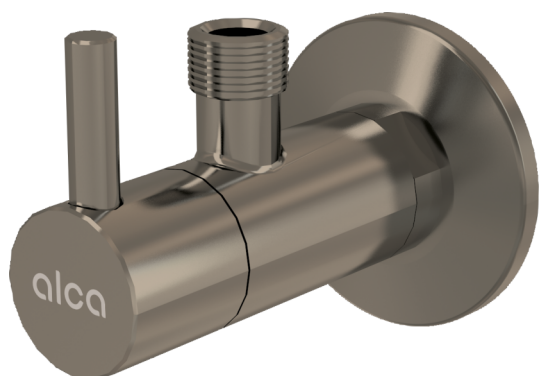


# ARV001-N-B

Angle valve with a filter 1/2"×3/8", NICKEL-brushed matt



### Application

For installation on plaster  
For the connection of deck mounted faucet

### Features

- Design compatible with wash-basin trap A400-N-B
- Round design
- Material: metal with PVD surface finish
- Includes dirt filter

### Scope of supply

- Metal rosette
- Valve

### Order number, Logistic information

Code	EAN	Weight (piece   packing   palett)	Dimensions (piece   packing)	Quantity (packing   palett)
ARV001-N-B	8595580571733	0,23   13,80   406,4 kg	150×45×65   390×240×300 mm	60   1680 pcs

### Warranty

2/3 years \*

### Technical specifications

- Hose connector G 3/8 "
- Thread G 1/2 "