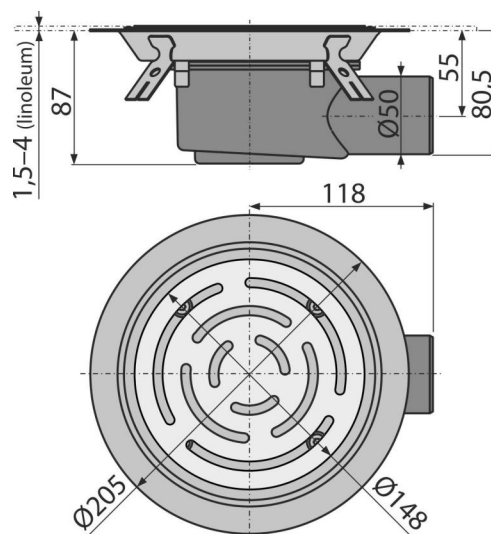


# APV3513

Floor drain 105×105/50 mm side outlet, stainless steel grid, stainless steel flange and collar-2nd level insulation, combined odour trap SMART



## Application

For wheelchair access  
 For drainage of vinyl floors  
 For the interior, where will be frequent use associated with the regular water runoff into the floor drain (bathrooms) – combined odour trap

## Features

- Side connection to waste Ø50 mm
- Installation into vinyl floors
- Compatibility with floor drains parts including wet, dry and combined odour trap SMART
- Round grid Ø148 mm
- Material: stainless steel AISI 304, DIN 1.4301
- Material: polypropylene resistant to mechanical, chemical and thermal damage
- Wide insulation collar for connection to waterproofing construction
- Odour traps prevent the penetration of odours from the sewer

## Scope of supply

- Combined odour trap
- Stainless steel grid
- Stainless steel flange + assembly set
- Seal kit
- Floor drain body Ø50 mm, side outlet

## Order number, Logistic information

Code	EAN	Weight (piece   packing   palett)	Dimensions (piece   packing)	Quantity (packing   palett)
APV3513	8595580573430	1,30   1,30   175,4 kg	250×205×90   250×205×90 mm	1   120 pcs

## Warranty

2/6 years \*

## Norms

EN 1253

## Technical specifications

- Total installation height 87 mm
- Resistance of odour trap against the pressure 480 Pa
- Waste pipe diameter 50 mm
- The flow of the inlet grid (wet odour trap) 50 l/min
- Load class K3 300 kg
- Odour trap 15 mm