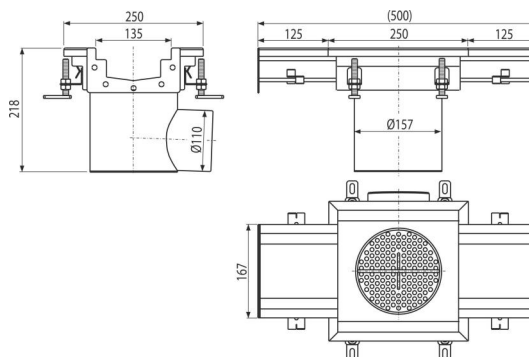
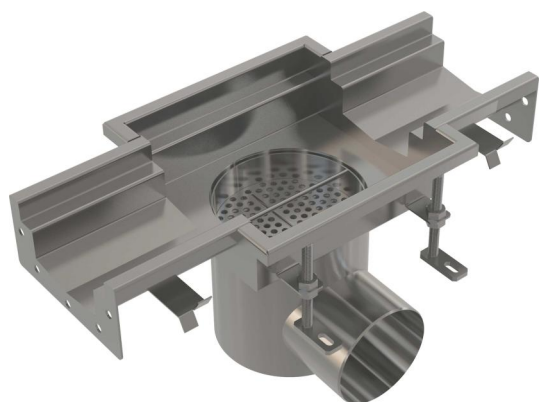


APR6-1211-135

Industrial point drain with box inlets 250x250-135, stainless steel AISI 304



Application

To drain large amount of water, suitable also for long distances
For drainage of large industrial facilities, and other commercial facilities inside buildings, eg. in the chemical and food industries

Features

- The whole system is firmly anchored in concrete by simply adjustable legs and side anchors
- Floor drain material: stainless steel 1.5 mm, DIN 1.4301
- Used sealing ensures a completely watertight joint
- Adjustable height in the range of 80–125 mm
- Industrial drain made of stainless steel (heat treated by pickling and passivation), this process guarantees that the stainless steel even after several years keeps its properties and reliable operation
- High flow rate

Scope of supply

- Feet 4 pcs
- Strainer to capture the dirt
- Seal 2 pcs
- Floor drain
- Odour trap

Order number, Logistic information

Code	EAN	Weight (piece packing palett)	Dimensions (piece packing)	Quantity (packing palett)
APR6-1211-135	8595580573461	5,57 5,57 - kg	218x500x250 mm	1 - pc

Warranty

2/5 years *

Norms

EN 1253-1

Technical specifications

- Flow of the inlet grid 324 l/min
- Wet odour trap 50 mm