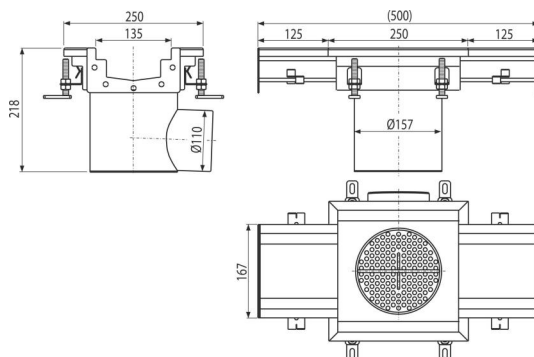
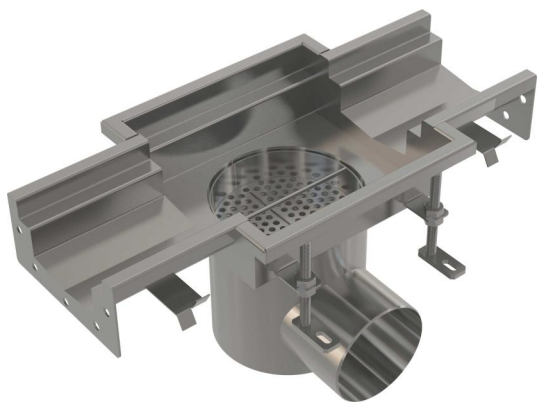


# APR6-1221-135

Industrial point drain with box inlets 250x250-135, stainless steel AISI 316L



### Application

To drain large amount of water, suitable also for long distances  
For drainage of large industrial facilities, and other commercial facilities inside buildings, eg. in the chemical and food industries

### Features

- The whole system is firmly anchored in concrete by simply adjustable legs and side anchors
- Floor drain material: stainless steel 1.5 mm, DIN 1.4301
- Used sealing ensures a completely watertight joint
- Adjustable height in the range of 85–125 mm
- Industrial drain made of stainless steel (heat treated by pickling and passivation), this process guarantees that the stainless steel even after several years keeps its properties and reliable operation
- High flow rate

### Scope of supply

- Strainer to capture the dirt
- Adjustable feet 4 pcs
- Sealings 1 pc
- Floor drain
- Odour trap

### Order number, Logistic information

Code	EAN	Weight (piece   packing   palett)	Dimensions (piece   packing)	Quantity (packing   palett)
APR6-1221-135	8595580573485	5,57   5,57   - kg	218x500x250   mm	1   - pc

Warranty	Customs code	Norms
2/5 years *	73269098	EN 1253-1

### Technical specifications

- Wet odour trap 50 mm