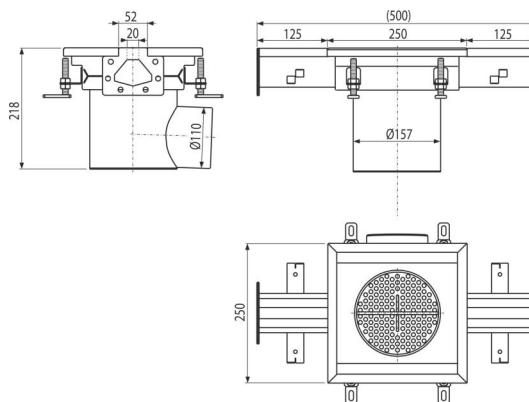
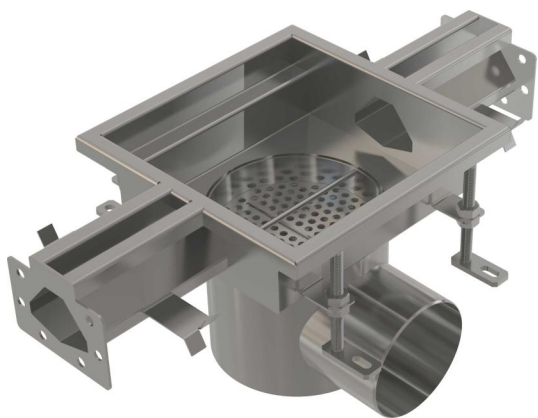


# APR7-1221-20

Industrial point drain with slot inlets 250x250, stainless steel AISI 316L



### Application

For drainage with low water flow  
For drainage of large industrial facilities, and other commercial facilities inside buildings, eg. in the chemical and food industries

### Features

- Floor drain material: stainless steel 1.5 mm, DIN 1.4404
- Strong anchoring in concrete with simply adjustable legs and side anchors
- Used sealing ensures a completely watertight joint
- Easy cleaning and maintenance
- Adjustable height in the range of 85–125 mm
- Industrial drain made of stainless steel (heat treated by pickling and passivation), this process guarantees that the stainless steel even after several years keeps its properties and reliable operation

### Scope of supply

- Strainer to capture the dirt
- Adjustable feet 4 pcs
- Seal 2 pcs
- Floor drain
- Odour trap

### Order number, Logistic information

Code	EAN	Weight (piece   packing   palett)	Dimensions (piece   packing)	Quantity (packing   palett)
APR7-1221-20	8595580573751	5,12   5,12   - kg	500x250x218   mm	1   - pc

Warranty	Customs code	Norms
2/5 years *	73269098	EN 1253-1

### Technical specifications

- Wet odour trap 50 mm