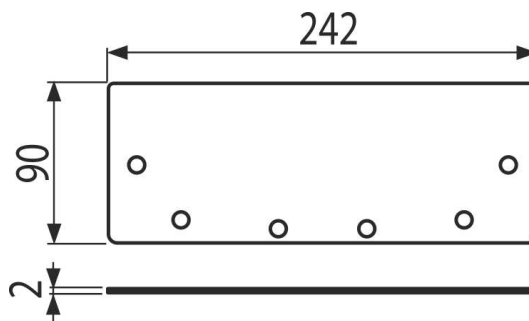


# APR6-P101-210

End cap for box drain 210, stainless steel AISI 304



### Application

For industrial box drains  
End cap to close the drain channel

### Features

- End cap material: stainless steel 1.5 mm, DIN 1.4301

### Scope of supply

- End cap for box drain

### Order number, Logistic information

Code	EAN	Weight (piece   packing   palett)	Dimensions (piece   packing)	Quantity (packing   palett)
APR6-P101-210	8595580573782	0,35   0,35   - kg	242x90x2   mm	1   - pc

### Warranty

2/5 years \*

### Norms

EN 1253-1