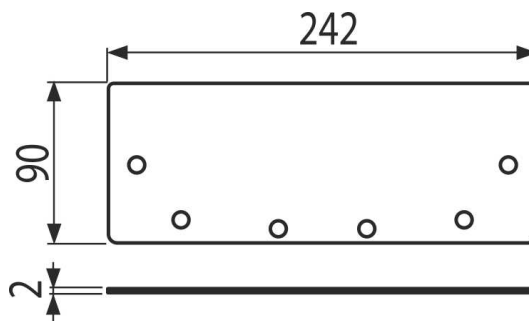


# APR6-P201-210

End cap for box drain 210, stainless steel AISI 316L



### Application

For industrial box drains  
For closing off the end of the drain channel

### Features

- End cap material: stainless steel 1.5 mm, DIN 1.4404

### Scope of supply

- End cap for box drain

### Order number, Logistic information

Code	EAN	Weight (piece   packing   palett)	Dimensions (piece   packing)	Quantity (packing   palett)
APR6-P201-210	8595580573799	0,35   0,35   - kg	242x90x2   mm	1   - pc

Warranty	Customs code	Norms
2/5 years *	73269098	EN 1253-1