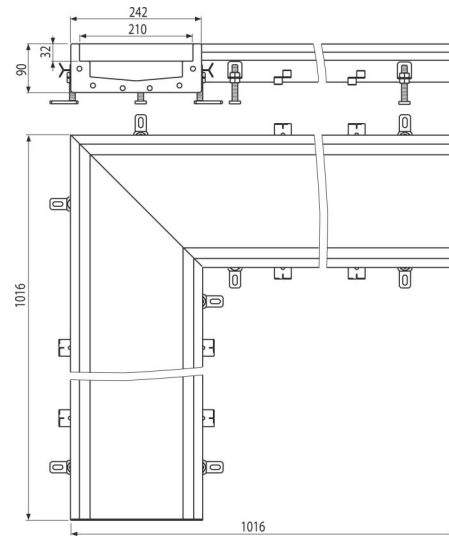


APR6-0221-210R

Industrial corner box drain 1 m, stainless steel AISI 316L



Application

To drain large amount of water, suitable also for long distances
For drainage of large industrial facilities, and other commercial facilities inside buildings, eg. in the chemical and food industries

Features

- Industrial box drain made of stainless steel (heat treated by pickling and passivation), this process guarantees that the stainless steel even after several years keeps its properties and reliable operation
- Drain body material: stainless steel 1.5 mm, DIN 1.4404
- Strong anchoring in concrete with simply adjustable legs and side anchors
- Used sealing ensures a completely watertight joint
- The width for inserting the grid 210 mm
- Easy cleaning and maintenance
- Adjustable height in the range of 90–125 mm
- High flow rate

Scope of supply

- Industrial box drain
- Adjustable feet 4 pcs
- Sealings 1 pc

Order number, Logistic information

| Code | EAN | Weight (piece packing palett) | Dimensions (piece packing) | Quantity (packing palett) |
|----------------|---------------|--------------------------------------|---------------------------------|--------------------------------|
| APR6-0221-210R | 8595580574062 | 9,15 9,15 - kg | 1016x242x90 mm | 1 - pc |

| | | |
|--------------------------------|---------------------------------|---------------------------|
| Warranty 2/5 years * | Customs code 73269098 | Norms EN 1253-1 |
|--------------------------------|---------------------------------|---------------------------|