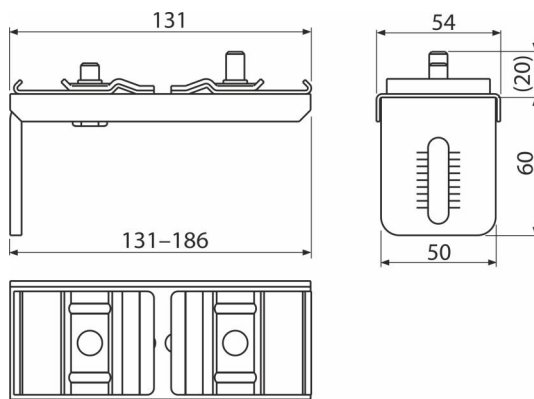


AS-P013

Profile holder, double 186 mm



Application

For ALCASYSTEM construction

For anchoring the ALCASYSTEM construction to the wall

Features

- Material: galvanized steel
- Small setting range

Order number, Logistic information

Code	EAN	Weight (piece packing palett)	Dimensions (piece packing)	Quantity (packing palett)
AS-P013	8595580574178	0,47 9,40 - kg	131x80x50 - mm	20 - pc

Warranty

2/6 years *