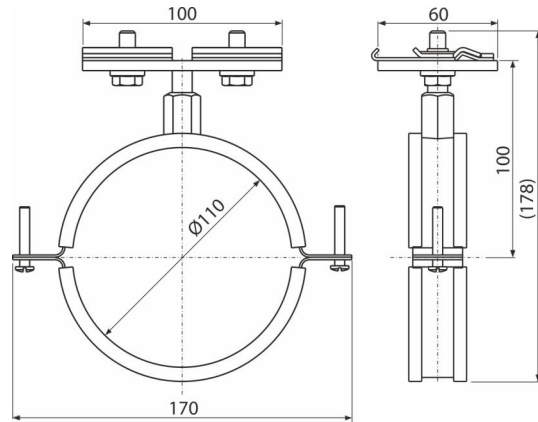


# AS-P004

Waste pipe holder for WC systems DN110



**Application**

For ALCASYSTEM construction

**Scope of supply**

- Waste pipe holder DN110 – 1 pc

**Order number, Logistic information**

Code	EAN	Weight (piece   packing   palett)	Dimensions (piece   packing)	Quantity (packing   palett)
AS-P004	8595580574208	0,44   8,76   90,1 kg	178×170×60   380×290×230 mm	20   160 pcs

**Warranty**

2/6 years \*