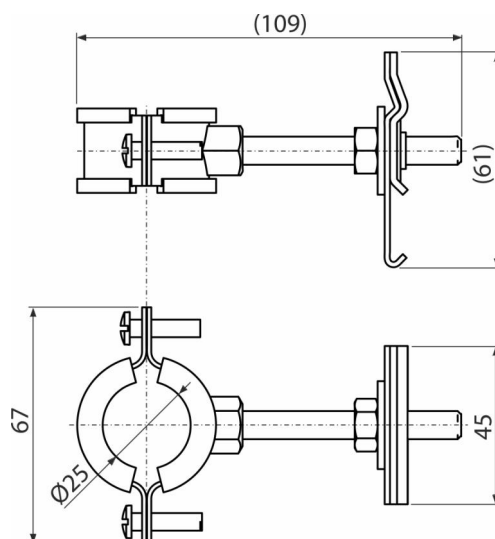


AS-P005

Pipe holder DN25-30



Application

For ALCASYSTEM construction

Scope of supply

- Tube holder DN25-30 – 1 pc

Order number, Logistic information

Code	EAN	Weight (piece packing palett)	Dimensions (piece packing)	Quantity (packing palett)
AS-P005	8595580574222	0,13 1,29 - kg	109×67×61 - mm	10 - pc

Warranty

2/6 years *