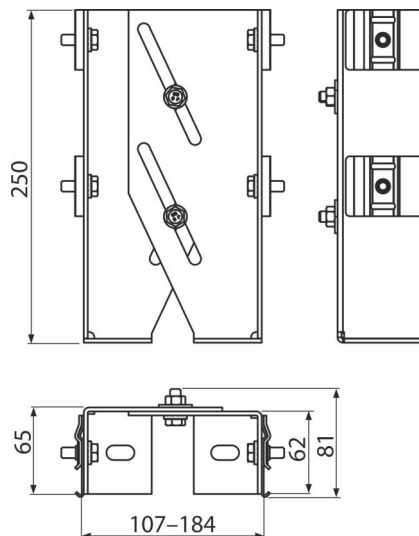


AS-P041

Anchoring flap



Application

For ALCASYSTEM construction
To stabilize the Alcasystem constructure

Features

- Material: galvanized steel

Scope of supply

- Anchoring flap – 1 pc

Order number, Logistic information

Code	EAN	Weight (piece packing palett)	Dimensions (piece packing)	Quantity (packing palett)
AS-P041	8595580574239	2,11 10,54 - kg	250x107x81 - mm	5 - pc

Warranty

2/6 years *