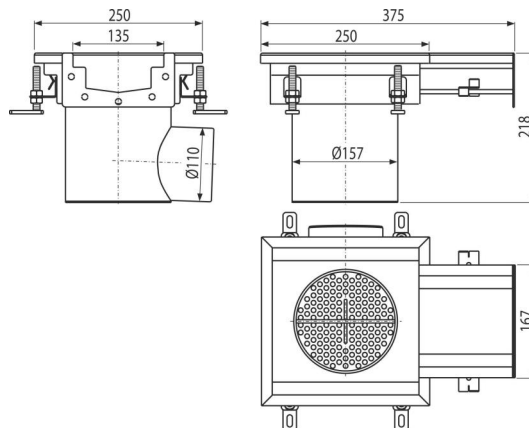
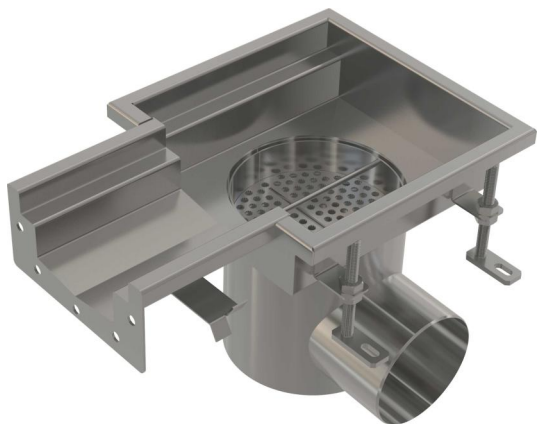


# APR6-1321-135-P

Industrial point drain with box inlet 250x250-135, stainless steel AISI 316L



## Application

To drain large amount of water, suitable also for long distances  
For drainage of large industrial facilities, and other commercial facilities inside buildings, eg. in the chemical and food industries

## Features

- Floor drain material: stainless steel 1.5 mm, DIN 1.4404
- Strong anchoring in concrete with simply adjustable legs and side anchors
- Used sealing ensures a completely watertight joint
- Adjustable height in the range of 80–115 mm
- Industrial drain made of stainless steel (heat treated by pickling and passivation), this process guarantees that the stainless steel even after several years keeps its properties and reliable operation
- High flow rate

## Scope of supply

- Strainer to capture the dirt
- Adjustable feet 4 pcs
- Sealings 1 pc
- Floor drain
- Odour trap

## Order number, Logistic information

Code	EAN	Weight (piece   packing   palett)	Dimensions (piece   packing)	Quantity (packing   palett)
APR6-1321-135-P	8595580574529	4,97   4,97   - kg	250x375x218   250x375x218 mm	1   - pc

Warranty	Customs code	Norms
2/5 years *	73269098	EN 1253-1

## Technical specifications

- Wet odour trap 50 mm