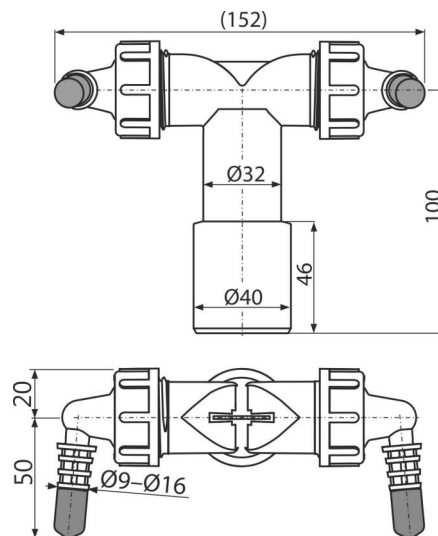


# P157Z

Double connector G1"/8-16 with valves, DN40



### Application

For the connection of up to two appliances  
Connects various appliances to the waste pipe

### Features

- Two elbows for connecting the electrical appliances: dryers, boilers, air conditioning, heat recovery etc.
- Valves with partition serve to direct the flow of water into the waste
- Material: polypropylene
- Direct connection to HT DN40/DN32 – no need of another trap when installing additional household appliance
- The red plug is used for blinding the connector if it is not used.

### Scope of supply

- Connector 8-16 mm – 2 pcs
- Connector body
- Seal
- Connector seals 2 pcs
- Plug 1 pc
- Return valve 2 pcs

### Order number, Logistic information

Code	EAN	Weight (piece   packing   palett)	Dimensions (piece   packing)	Quantity (packing   palett)
P157Z	8595580574949	0,10   5,14   163,9 kg	152x70x120   590x390x240 mm	50   1400 pcs

### Warranty

2/2 years \*

### Technical specifications

- Hose connector 8-16 mm
- Thread for connection to the trap 1 "