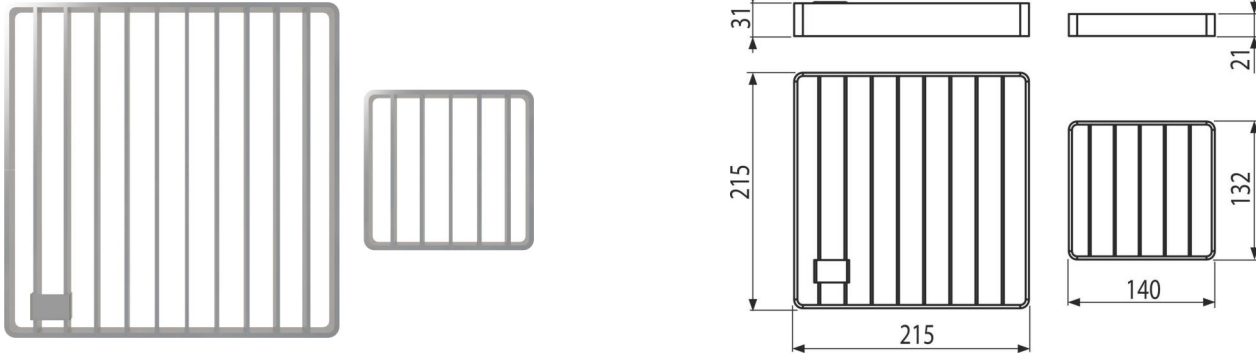


APR-R31-250-250-1

Cover grid for point drain with box inlet APR6, stainless steel AISI 304



Application

For industrial drain APR1

Features

- Cover grating made of stainless steel (hardened by pickling and passivation), this process guarantees that the stainless steel even after several years keeps its properties and reliable operation
- Grid material: stainless steel 5 mm, DIN 1.4301
- Grid dimensions 215x215 mm, 132x140 mm

Scope of supply

- Grid

Order number, Logistic information

| Code | EAN | Weight (piece packing palett) | Dimensions (piece packing) | Quantity (packing palett) |
|-------------------|---------------|--------------------------------------|---------------------------------|--------------------------------|
| APR-R31-250-250-1 | 8595580575809 | 3,93 3,93 - kg | 215x215x52 mm | 1 - pc |

Warranty

2/5 years *

Norms

EN 1253-1

Technical specifications

- Load test L15 1500 kg