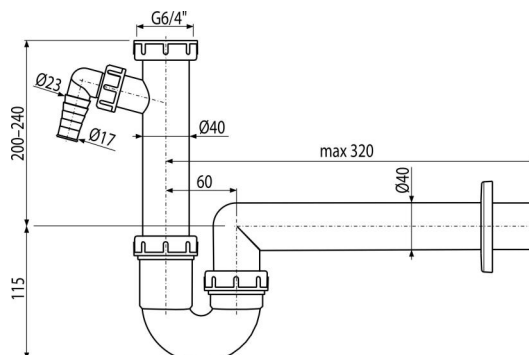


# A81-DN40-ECO

Pipe trap with coupling nut 6/4" and connector



## Application

For sink

## Features

- Material: recycled polypropylene
- Connection to waste pipe Ø40 mm
- Low carbon footprint
- With connector for washing machine or dishwasher
- Made in Czech Republic
- Zero waste production process

## Scope of supply

- Nut to connect sink waste 6/4"
- Plastic rosette
- Sink trap body with connector

## Order number, Logistic information

Code	EAN	Weight (piece   packing   palett)	Dimensions (piece   packing)	Quantity (packing   palett)
A81-DN40-ECO	8595580576899	40 mm 0,38   5,77   181,4 kg	330×90×190   590×240×390 mm	15   420 pcs

## Warranty

2/3 years

## Norms

EN 274

## Technical specifications

- Hose connector 17-23 mm
- Flow rate 60 l/min
- Thermal resistance 95 °C
- Odour trap 64 mm