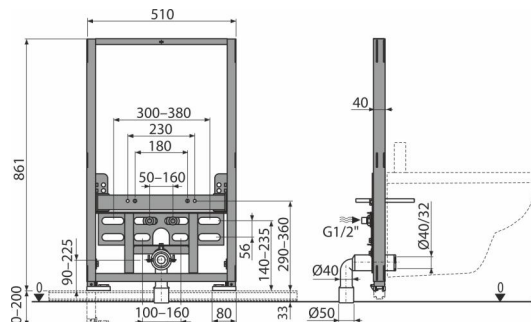


# AS105/850

Mounting frame for bidet



### Application

For mounting in front of a support wall or in to a plasterboard construction  
 For installation deck mounted faucet  
 For wall-hung bidets with a connecting pitch of 180 mm or 230 mm

### Features

- Material: powder-coated metal
- Adjustable telescopic feet, range 0–200 mm
- Water supply pitch 55–145 mm

### Scope of supply

- Fixation material for fixing the bidet: Threaded rod M12 – 4 pcs, washers – 2 pcs, cover – 2 pcs, nut – 2 pcs, thread protector – 2 pcs
- Fixation set: screw Ø8×60 – 4 pcs, dowel Ø12 – 4 pcs
- Waste elbow HT 50 with seal
- Connection fittings G1/2"–G1/2"
- Self-supporting frame

### Order number, Logistic information

Code	EAN	Weight (piece   packing   palett)	Dimensions (piece   packing)	Quantity (packing   palett)
AS105/850	8595580576981	11,93   11,93   234,7 kg	1190×523×90   1190×523×90 mm	1   18 pcs

### Warranty

2/15 years \*

### Technical specifications

- Load test 400 kg