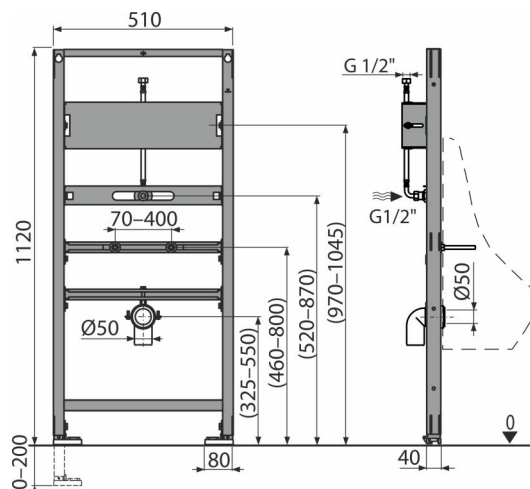


AS107S/1120

Mounting frame for urinal and sensor



Application

For automatic flushing system (sensor) before the bearing wall or into a plasterboard structure
 For mounting in front of a support wall or in to a plasterboard construction
 For wall-hung urinals

Features

- Material: powder-coated metal
- Adjustable telescopic feet, range 0–200 mm
- Waste pipe adjustable 0–110 mm from center
- Water connection adjustable 0–125 mm from center
- Mounting pitch of the urinal is 80–280 mm
- Universal sensor holder – compatible with other types of sensors
- Height adjustable partitions

Scope of supply

- Fixing hardware for mounting the urinal: M10 screw – 2 pcs
- Fixation set: screw Ø8x60 – 4 pcs, dowel Ø12 – 4 pcs
- Bracket for mounting the sensor
- Covers for the fixing material
- Waste elbow HT 50 with seal
- Self-supporting frame with a C-profile

Order number, Logistic information

Code	EAN	Weight (piece packing palett)	Dimensions (piece packing)	Quantity (packing palett)
AS107S/1120	8595580577001	10,33 10,33 329,9 kg	1170x400x78 1170x400x78 mm	1 30 pcs

Warranty

2/15 years *

Technical specifications

- Load test 150 kg