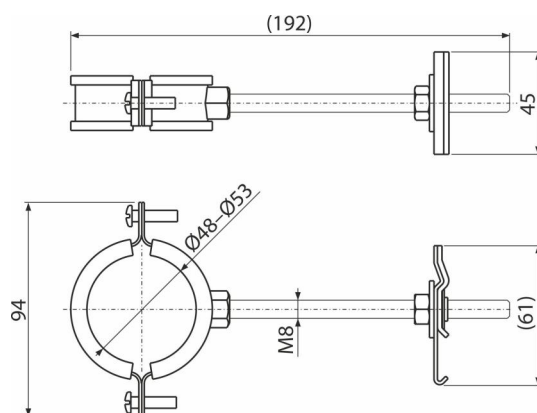


AS-P205

Waste holder DN48-53



Application

For ALCASYSTEM construction

Scope of supply

- Pipe holder DN48-53 - 1 pc

Order number, Logistic information

Code	EAN	Weight (piece packing palett)	Dimensions (piece packing)	Quantity (packing palett)
AS-P205	8595580577070	0,18 0,18 - kg	192x94x61 - mm	1 - pc

Warranty

2/6 years *