

# AM121/1120 Sádromodul

## Pre-wall installation system with integrated hygienic pipe flushing function

### Application

Support element for wall-hung toilets with integrated flushing cistern  
 For automatic rinsing of hot and cold water supply  
 For mounting in front of a support wall or in to a plasterboard construction  
 For installation of wall-hung WC pans with a connecting pitch of 180 mm or 230

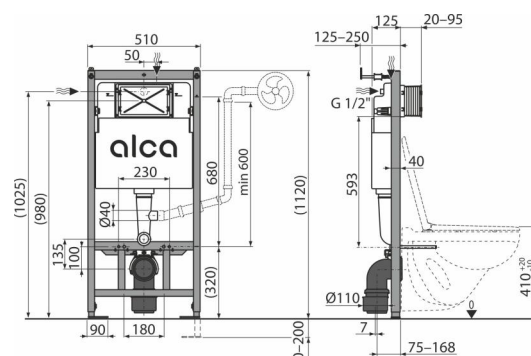
mm  
 For floor thickness 0–200 mm

### Features

- The flush cycle time is preset to 1 min warm water rinse and 1 min cold water rinse. The flush cycle time can be changed using the remote control.
- Dual flush independently adjustable with hygienic reserve
- Double solenoid valve with control electronics and water level monitoring sensor
- Compatible with all ALCA flush plates
- The construction of polystyrene insulation prevents condensation forming on the surface of the tank and dampens the vibrations from the tank into the building structure
- The frame allows the anchoring to a separate sufficiently strong plasterboard partition, in front of the bearing wall
- The service opening cover simplifies assembly and prevents the penetration of moisture and impurities
- Frame material: powder-coated metal
- Installation depth adjustable from 20–95 mm
- Possibility to set the time for activating the automatic rinsing
- Possibility to set the duration of automatic rinsing
- Possibility to adjust the volume of the audio alarm in case of a malfunction of the automatic flushing system
- Suitable for installation of remote or sensor flushing
- Possibility of tilting the cistern for easy installation in wooden construction buildings or mobile cells
- The cistern is made of one piece, thus ensuring 100% impermeability
- The installed module is covered with a plasterboard panel and there is no need for any additional fixing or anchoring elements
- Powered by the main electric supply, the power source must be purchased (12 V DC min 1 A) – recommended AEZ310
- Adjustable anchor feet and a spring-lock system, with a range of 0–200 mm
- Dispenser for WC cistern tablets included
- If the toilet bowl is not flushed for 72 hours, the flushing system is automatically activated. The factory setting for activating the flush cycle is 72 hours and can be changed using the remote control.
- Sliding rail holder for the waste connector can be set to eight positions between 0–93 mm
- Prepared for connecting a bracket with a DG 1/2" conversion for bidet seats and sprays
- Water supply from the rear/top
- Angle valve compatible with Mepla piping system for cold water
- Angle valve compatible with Mepla piping system for hot water
- Maintenance work without using any tools
- The device for signaling the error status can be connected to MAR central control unit of the building
- Installation depth 125 mm
- The malfunctioning of automatic flushing system is signaled by LED control (on the electronics inside the cistern)
- Visible marks for both leveling and the centerline
- Cistern hinges made of two-component material insulate the transmission of vibrations from buildings

### Scope of supply

- The remote control is not part of the package - it can be purchased as an optional accessory
- Electronics holder
- Two angle valves Schell 1/2"-3/8"
- Solenoid valves
- Fixation material for fixing the WC pan: threaded rod M12 – 2 pcs, washers – 4 pcs, cover – 2 pcs, nut – 2 pcs, thread protector – 2 pcs
- Fixation set: screw Ø8x60 – 4 pcs, dowel Ø12 – 4 pcs
- Elbow waste connector HT 90/90 polyethylene, PE-HD
- The 2 piece cover of the service opening is simply adjustable
- Cistern with fill and flush valve
- Waste reduction HT 90/110 polyethylene, PE-HD
- control electronics with integrated water level sensor
- End-caps set for protecting the connecting holes during installation of the system
- Set for inserting toilet tablets
- Self-supporting frame
- Drainage seal, PP connector, connector seal
- Inlet seal, PP outlet, wrapping seal



# AM121/1120 Sádromodul

Pre-wall installation system with integrated hygienic pipe flushing function

## Order number, Logistic information

Code	EAN	Weight (piece   packing   palett)	Dimensions (piece   packing)	Quantity (packing   palett)
AM121/1120	8595580579197	13,89   13,89   280,0 kg	1130x145x520   1130x520x145 mm	1   20 pcs

## Warranty

2/15 years \*

## Norms

EN 14124, EN 14055

## Technical specifications

- Recommended range of water pressure 0,3-0,5 MPa
- Functional range of water pressure 0,05-1,0 MPa
- Hygienic reserve 3 l
- Small flush 2,5-3,5 l
- Possibility of automatic rinsing of water pipes by cold and hot water
- Water volume in the cistern 9 l
- Water connection from the top using mounting holes G1/2 "
- Factory setting of small flush 3 l
- Factory setting of large flush 6 l
- Big flush 6-9 l
- Load test 400 kg