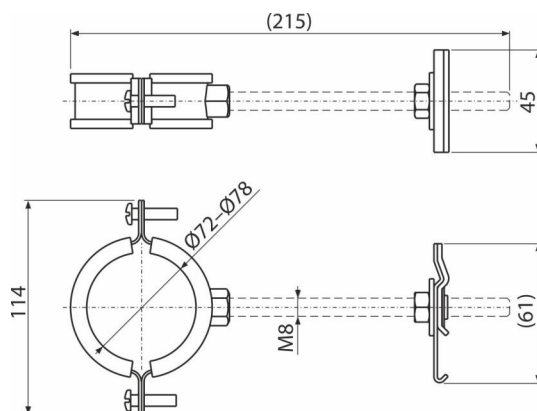
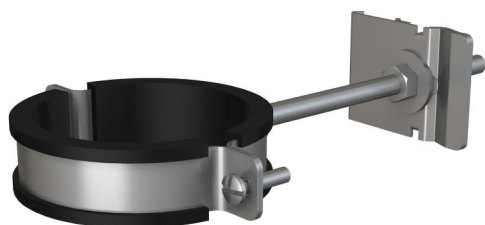


AS-P305

Waste holder DN72-78



Application

For ALCASYSTEM construction

Scope of supply

- Pipe holder DN72-78 - 1 pc

Order number, Logistic information

Code	EAN	Weight (piece packing palett)	Dimensions (piece packing)	Quantity (packing palett)
AS-P305	8595580580032	0,23 0,23 - kg	mm	1 - pc

Warranty
2/6 years *