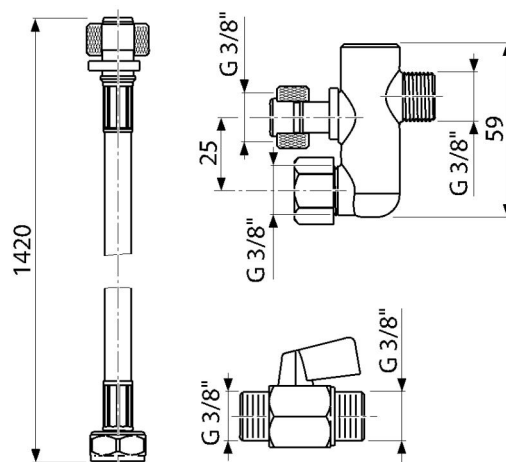
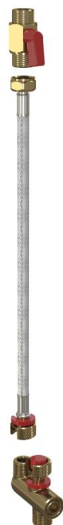


P192

Connection set for toilets or seats with bidet function



Application

For water connection to AM120

Features

- Tube material: stainless steel

Scope of supply

- Hose for bidet 3/8"
- Ball valve with external thread G 3/8"
- Y-piece 3/8"

Order number, Logistic information

Code	EAN	Weight (piece packing palett)	Dimensions (piece packing)	Quantity (packing palett)
P192	8595580580377	0,21 - - kg	220x360x3 - mm	1 - pc

Warranty

2/2 years *

Technical specifications

- Operating temperature 5-40 °C
- Operating pressure: 10 bar