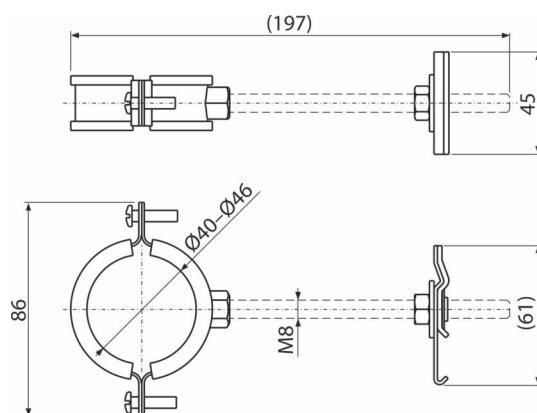
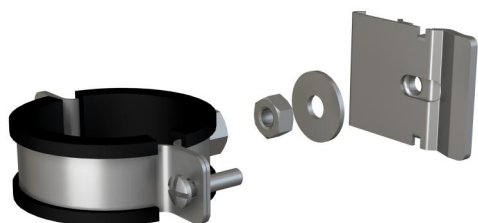


AS-P105

Pipe holder DN40-46



Application

For ALCASYSTEM construction

Scope of supply

- Pipe holder DN40-46 - 1 pc

Order number, Logistic information

Code	EAN	Weight (piece packing palett)	Dimensions (piece packing)	Quantity (packing palett)
AS-P105	8595580580728	0,13 1,29 - kg	197x86x61 - mm	10 - pc

Warranty
2/6 years *