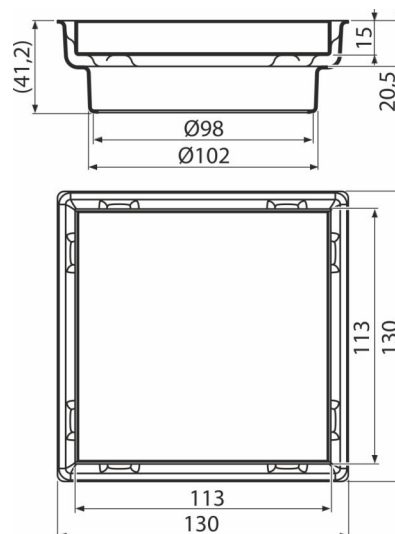


APVN0100

Drain throat extension neck + Two-sided grid 130×130 mm, stainless steel



Application

For wheelchair access
 For drainage of floor level showers
 For the interior, where will be frequent use associated with the regular water runoff into the floor drain (bathrooms)

Features

- Material: stainless steel AISI 304, DIN 1.4301
- Installation height from 42 mm

Scope of supply

- Stainless steel extension
- Grid

Order number, Logistic information

Code	EAN	Weight (piece packing palett)	Dimensions (piece packing)	Quantity (packing palett)
APVN0100	8595580581060	0,34 - - kg	130x130x42 130x130x42 mm	1 pc

Warranty 2/25 years * Customs code 73269098

Technical specifications

- Load class K3 300 kg