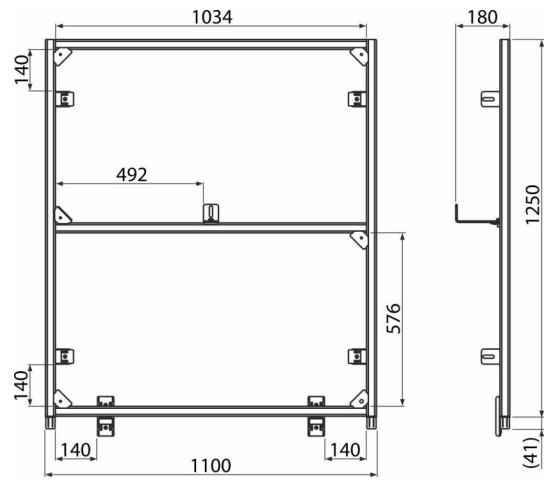


AS101-SET02

System wall



Order number, Logistic information

Code	EAN	Weight (piece packing palett)	Dimensions (piece packing)	Quantity (packing palett)
AS101-SET02	8595580581404	10,46 - - kg	1260x140x120 mm	1 pc