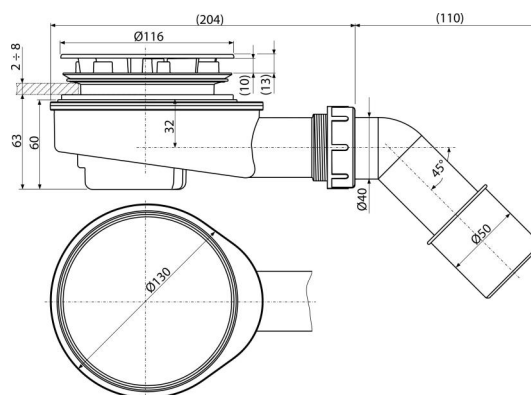


# A491BLACK

Shower waste set, black-matt



### Application

To drain the water from the shower trays  
 For shower trays without overflow  
 For shower trays with a drain outlet Ø90 mm

### Features

- Simple fitting of the waste and trap covers
- Material: polypropylene, thermally and chemically resistant, longitudinally welded
- Fully cleanable up to the waste pipe
- Direct connection to HT (after cutting)
- Self-cleaning design of trap
- Reduced installation height 65 mm

### Scope of supply

- Elbow for connection to waste
- Assembly kit
- Plastic waste and trap cover with black-matt finish
- Screws 3 pcs
- Waste and trap body

### Order number, Logistic information

Code	EAN	Weight (piece   packing   palett)	Dimensions (piece   packing)	Quantity (packing   palett)
A491BLACK	8595580581695	0,41   6,21   194,0 kg	210×100×220   590×240×390 mm	15   420 pcs

Warranty	Customs code	Norms
2/3 years *	39229000	EN 274

### Technical specifications

- Flow rate 37,2 l/min
- Thermal resistance 95 °C
- Odour trap 30 mm