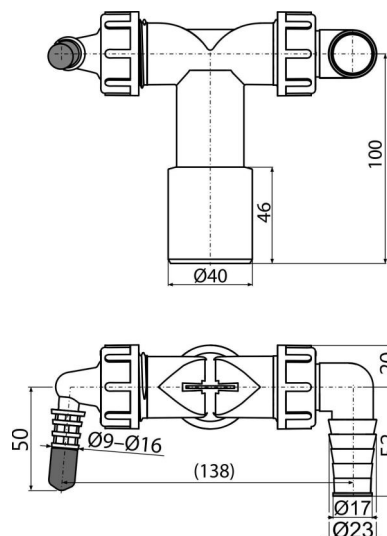
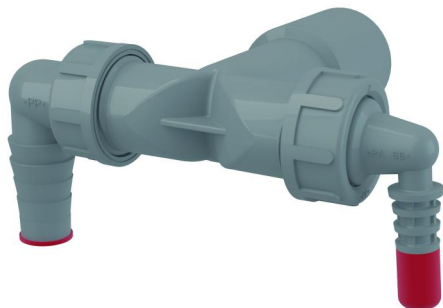


P156Z-ECO-1700

Double connector DN40/32 / 8-23 with valves



Application

For the connection of up to two appliances
For washing machines and other traps
Connects various appliances to the waste pipe

Features

- Two connectors for various electrical appliances – washing machines, dishwashers, dryers, boilers, air conditioning, heat recovery, etc.
- Valves with partition serve to direct the flow of water into the waste
- Material: recycled polypropylene
- Low carbon footprint
- Direct connection to HT DN40/DN32 – no need of another trap when installing additional household appliance
- Made in Czech Republic
- Zero waste production process
- The red plug is used for blinding the connector if it is not used.

Scope of supply

- Elbow 17-23 mm - 1 pc, Elbow 8-16 mm 1 pc
- Connector body
- Seal
- Connector seals 2 pcs
- Plug 1 pc
- Return valve 2 pcs

Order number, Logistic information

Code	EAN	Weight (piece packing palett)	Dimensions (piece packing)	Quantity (packing palett)
P156Z-ECO-1700	8595580582296	0,11 5,53 108,4 kg	125x72x94 590x390x240 mm	50 800 pcs

Warranty 2/2 years
Customs code 39174000

Technical specifications

- Hose connector 8-16 mm
- Hose connector 17-23 mm
- Thread for connection to the trap 1 "