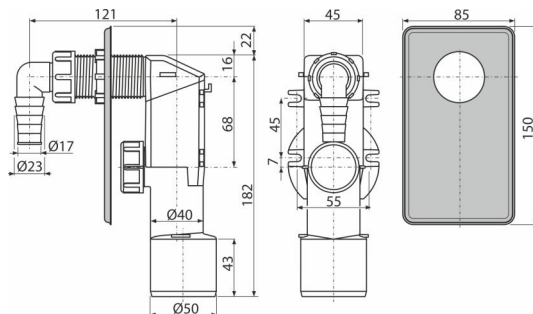


APS3-ECO-1700

Concealed washing machine trap, stainless steel DN40 and DN50



Application

For installation under plaster
To connect the washing machine or dishwasher

Features

- Hooks for a firmer fixing on the wall
- Installation stoppers to connect HT50
- Material: recycled polypropylene
- Connection to HT 40/50
- Low carbon footprint
- Service access for easy cleaning
- Made in Czech Republic
- Zero waste production process

Scope of supply

- Elbow
- Stainless steel cover
- Waste and trap body

Order number, Logistic information

| Code | EAN | Weight (piece packing palett) | Dimensions (piece packing) | Quantity (packing palett) |
|---------------|---------------|--------------------------------------|---------------------------------|--------------------------------|
| APS3-ECO-1700 | 8595580582302 | 0,22 8,82 267,0 kg | 180×70×150 590×240×390 mm | 40 1120 pcs |

| Warranty | Customs code | Norms |
|-----------|--------------|--------|
| 2/3 years | 39229000 | EN 274 |

Technical specifications

- Flow rate 16,8 l/min
- Thermal resistance 95 °C
- Odour trap 50 mm