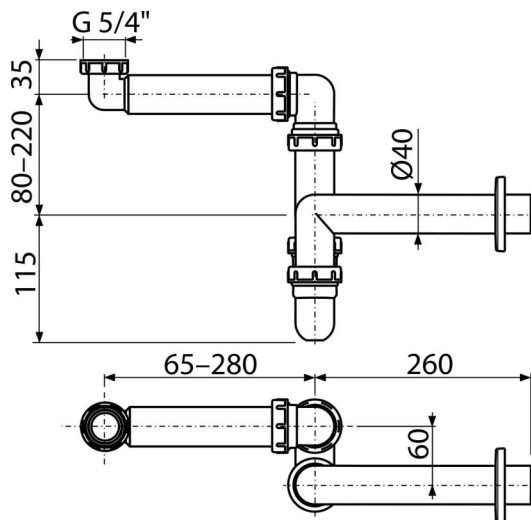


A434-ECO-1800

Space-saving wash-basin trap DN40 with coupling nut 5/4"



Application

For wash-basin

To save space under the wash-basin

Features

- Material: recycled polypropylene
- Connection to waste pipe Ø40 mm
- Low carbon footprint
- Made in Czech Republic
- Zero waste production process

Scope of supply

- Nut to connect wash-basin waste 5/4"
- Plastic rosette
- Waste and trap body

Order number, Logistic information

Code	EAN	Weight (piece packing palett)	Dimensions (piece packing)	Quantity (packing palett)
A434-ECO-1800	8595580582326	0,39 3,92 129,9 kg	330x90x210. 590x240x390. mm	10. 280. pcs

Warranty

2/3 years

Customs code

39229000

Norms

EN 274

Technical specifications

- Flow rate 60 l/min
- Thermal resistance 95 °C
- Odour trap 64 mm