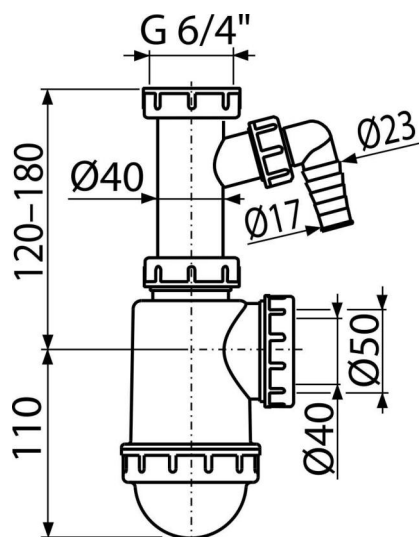


# A443P-DN50/40-ECO-1800

Sink trap with coupling nut 6/4" and connector



## Application

For sink

## Features

- Material: recycled polypropylene
- Low carbon footprint
- With connector for washing machine or dishwasher
- Made in Czech Republic
- Zero waste production process
- Waste outlet ready for connection to drain pipe Ø50 mm or Ø40 mm

## Scope of supply

- Nut to connect sink waste 6/4"
- Sink trap body with connector

## Order number, Logistic information

Code	EAN	Weight (piece   packing   palett)	Dimensions (piece   packing)	Quantity (packing   palett)
A443P-DN50/40-ECO-1800	8595580582340	0,26   6,45   200,5 kg	260×90×140.   590×240×390. mm	25.   700. pcs

## Warranty

2/3 years

## Norms

EN 274

## Technical specifications

- Hose connector 17-23 mm
- Flow rate 44 l/min
- Thermal resistance 95 °C
- Odour trap 53 mm