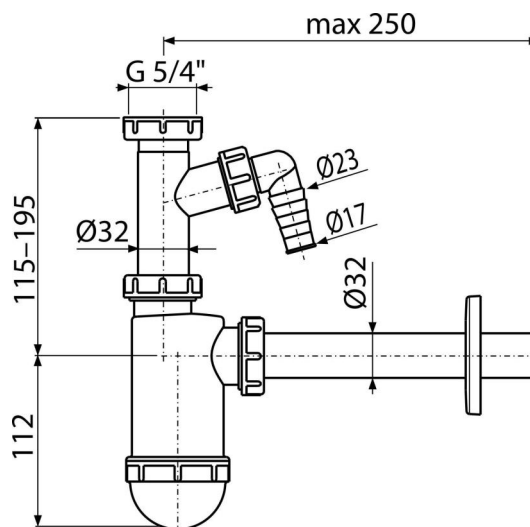


# A430P-ECO-1800

Wash-basin trap DN32 with connector and coupling nut 5/4"



### Application

For wash-basin

### Features

- Material: polypropylene
- Connection to waste pipe  $\varnothing 32$  mm
- Low carbon footprint
- With connector for washing machine or dishwasher
- Made in Czech Republic
- Zero waste production process

### Scope of supply

- Nut to connect wash-basin waste 5/4"
- Plastic rosette
- Sink trap body with connector

### Order number, Logistic information

Code	EAN	Weight (piece   packing   palett)	Dimensions (piece   packing)	Quantity (packing   palett)
A430P-ECO-1800	8595580582357	0,24   5,92   185,6 kg	220x100x80.   580x240x390. mm	25.   700. pcs

Warranty	Customs code	Norms
2/3 years	39229000	EN 274

### Technical specifications

- Hose connector 17-23 mm
- Flow rate 38 l/min
- Thermal resistance 95 °C
- Odour trap 58 mm