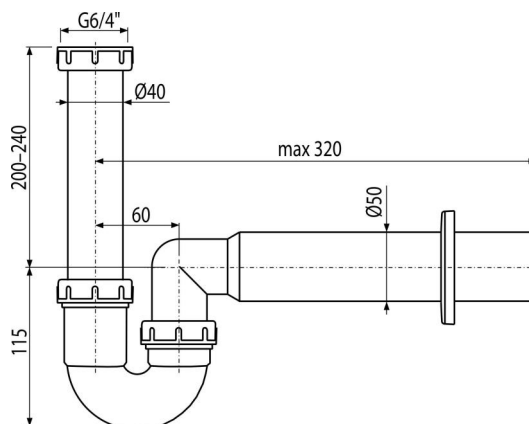


A80-DN50-ECO-1800

Pipe trap with coupling nut 6/4"



Application

For sink

Features

- Material: recycled polypropylene
- Connection to waste pipe Ø50 mm
- Low carbon footprint
- Made in Czech Republic
- Zero waste production process

Scope of supply

- Nut to connect sink waste 6/4"
- Plastic rosette
- Waste and trap body

Order number, Logistic information

Code	EAN	Weight (piece packing palett)	Dimensions (piece packing)	Quantity (packing palett)
A80-DN50-ECO-1800	8595580582371	0,27 4,11 135,2 kg	310x80x200. 590x240x390. mm	15. 420. pcs

Warranty	Customs code	Norms
2/3 years	39229000	EN 274

Technical specifications

- Flow rate 60 l/min
- Thermal resistance 95 °C
- Odour trap 64 mm