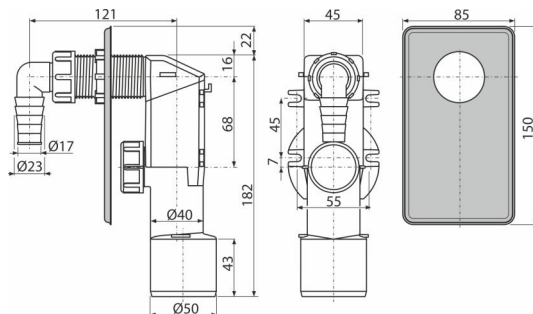


APS3-ECO-1800

Concealed washing machine trap, stainless steel DN40 and DN50



Application

For installation under plaster
To connect the washing machine or dishwasher

Features

- Hooks for a firmer fixing on the wall
- Installation stoppers to connect HT50
- Material: recycled polypropylene
- Connection to HT 40/50
- Low carbon footprint
- Service access for easy cleaning
- Made in Czech Republic
- Zero waste production process

Scope of supply

- Elbow
- Stainless steel cover
- Waste and trap body

Order number, Logistic information

Code	EAN	Weight (piece packing palett)	Dimensions (piece packing)	Quantity (packing palett)
APS3-ECO-1800	8595580582425	0,22 8,82 267,0 kg	180×70×150. 590×240×390. mm	40. 1120. pcs

Warranty	Customs code	Norms
2/3 years	39229000	EN 274

Technical specifications

- Flow rate 16,8 l/min
- Thermal resistance 95 °C
- Odour trap 50 mm