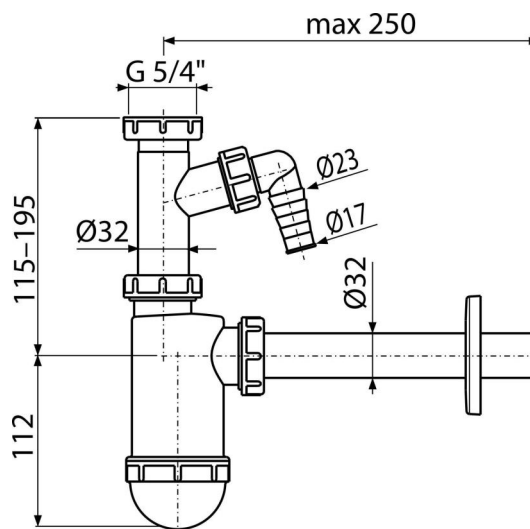


A430P-ECO-1900

Wash-basin trap DN32 with connector and coupling nut 5/4"



Application

For wash-basin

Features

- Material: polypropylene
- Connection to waste pipe $\varnothing 32$ mm
- Low carbon footprint
- With connector for washing machine or dishwasher
- Made in Czech Republic
- Zero waste production process

Scope of supply

- Nut to connect wash-basin waste 5/4"
- Plastic rosette
- Sink trap body with connector

Order number, Logistic information

Code	EAN	Weight (piece packing palett)	Dimensions (piece packing)	Quantity (packing palett)
A430P-ECO-1900	8595580582531	0,24 5,92 185,6 kg	220x80x140 590x240x390 mm	25 700 pcs

Warranty

2/3 years

Norms

EN 274

Technical specifications

- Hose connector 17-23 mm
- Flow rate 38 l/min
- Thermal resistance 95 °C
- Odour trap 58 mm