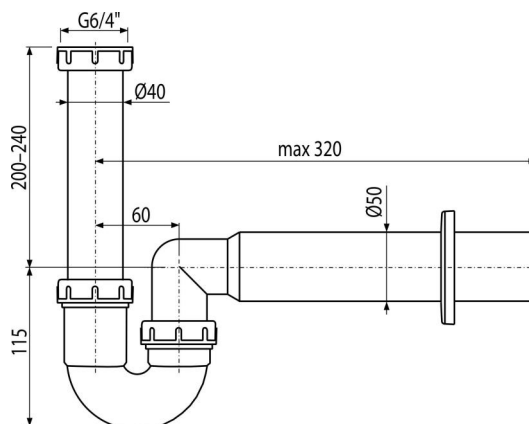


# A80-DN50-ECO-1900

Pipe trap with coupling nut 6/4"



## Application

For sink

## Features

- Material: recycled polypropylene
- Connection to waste pipe Ø50 mm
- Low carbon footprint
- Made in Czech Republic
- Zero waste production process

## Scope of supply

- Nut to connect sink waste 6/4"
- Plastic rosette
- Waste and trap body

## Order number, Logistic information

Code	EAN	Weight (piece   packing   palett)	Dimensions (piece   packing)	Quantity (packing   palett)
A80-DN50-ECO-1900	8595580582555	50 mm 0,27   4,11   135,2 kg	310x80x200   590x240x390 mm	15   420 pcs

Warranty	Customs code	Norms
2/3 years	39229000	EN 274

## Technical specifications

- Flow rate 60 l/min
- Thermal resistance 95 °C
- Odour trap 64 mm