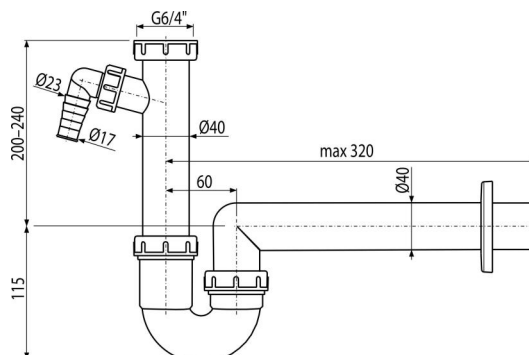


A81-DN40-ECO-1900

Pipe trap with coupling nut 6/4" and connector



Application

For sink

Features

- Material: recycled polypropylene
- Connection to waste pipe Ø40 mm
- Low carbon footprint
- With connector for washing machine or dishwasher
- Made in Czech Republic
- Zero waste production process

Scope of supply

- Nut to connect sink waste 6/4"
- Plastic rosette
- Sink trap body with connector

Order number, Logistic information

Code	EAN	Weight (piece packing palett)	Dimensions (piece packing)	Quantity (packing palett)
A81-DN40-ECO-1900	8595580582562	40 mm 0,38 5,77 181,4 kg	330×90×190 590×240×390 mm	15 420 pcs

Warranty	Customs code	Norms
2/3 years	39229000	EN 274

Technical specifications

- Hose connector 17-23 mm
- Flow rate 60 l/min
- Thermal resistance 95 °C
- Odour trap 64 mm