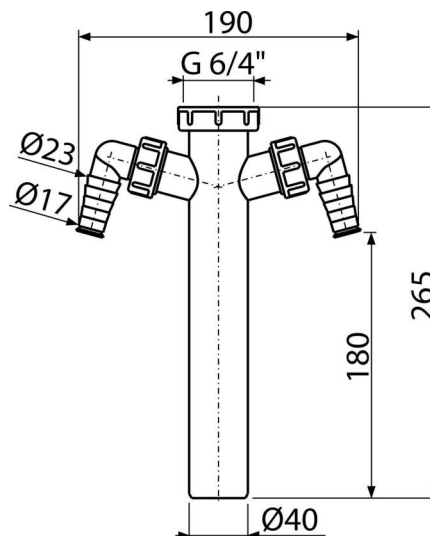


A44M-DN40-ECO-1900

Adapter pipe with coupling nut 6/4" and two connectors



Application

For sink wastes and traps

To connect the washing machine or dishwasher

Features

- Two connectors for connecting washing machines or dishwashers
- Material: recycled polypropylene
- Low carbon footprint
- Waste pipe Ø40 mm
- Made in Czech Republic
- Zero waste production process
- Thread for connection to the sink trap 6/4"

Scope of supply

- Adapter 6/4" with two connectors

Order number, Logistic information

Code	EAN	Weight (piece packing palett)	Dimensions (piece packing)	Quantity (packing palett)
A44M-DN40-ECO-1900	8595580582586	0,15 3,71 123,8 kg	270×50×200 590×240×390 mm	25 700 pcs

Warranty

2/2 years

Technical specifications

- Hose connector 17-23 mm
- Thread for connection to the trap 6/4 "