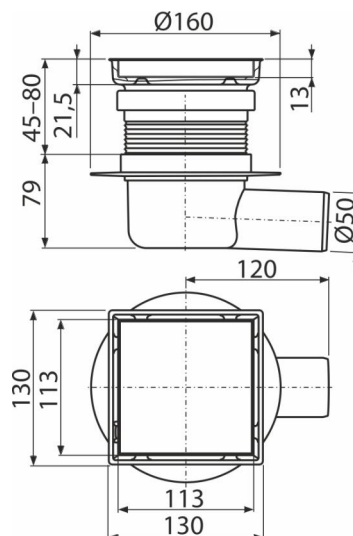
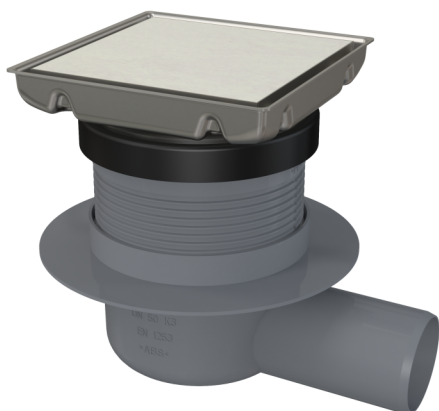


APV140

Floor drain 130×130 mm side outlet, two-sided stainless steel grid, wet odour trap



Application

For wheelchair access
For the interior, where will be frequent use associated with the regular water runoff into the floor drain (bathrooms)

Features

- Side connection to waste Ø50 mm
- Material of floor drain: stainless steel AISI 304, DIN 1.4301, DIN 17240
- Mechanically cleanable trap up to the waste pipe

Scope of supply

- Floor drain throat 130×130 mm
- Drain throat extension
- Two-sided stainless steel grid
- Seal kit
- Floor drain body Ø50 mm, side outlet
- Wet odour trap

Order number, Logistic information

Code	EAN	Weight (piece packing palett)	Dimensions (piece packing)	Quantity (packing palett)
APV140	8595580583194	1,09 8,73 174,6 kg	225×225×180 770×235×465 mm	8 160 pcs

Warranty	Customs code	Norms
2/6 years *	39269097	EN 1253

Technical specifications

- Total installation height 108-162 mm
- Resistance of odour trap against the pressure 540 Pa
- Waste pipe diameter 50 mm
- Flow rate 48 l/min
- Load class K3 300 kg
- Odour trap 50 mm