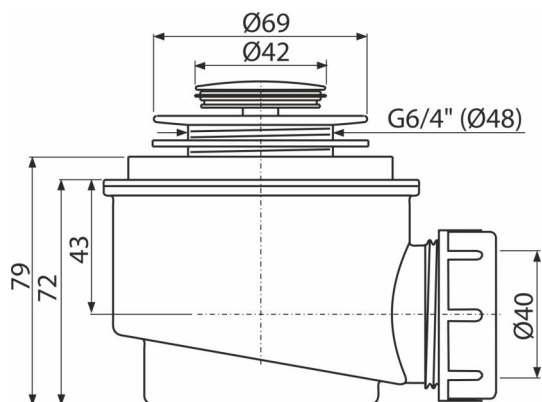


A465CK-50

Shower waste and trap CLICK/CLACK, metal



Application

To drain the water from the shower trays
For shower trays with a drain outlet Ø50 mm

Features

- Material: polypropylene, thermally and chemically resistant, longitudinally welded
- Waste can be connected using elbow A52
- Self-cleaning design of trap
- Building height 79 mm
- Easy clean CLICK/CLACK
- Closing waste by CLICK/CLACK

Scope of supply

- Waste outlet wrench 6/4"
- Assembly kit
- Chrome-plated metal plug and outlet
- Waste and trap body

Order number, Logistic information

Code	EAN	Weight (piece packing palett)	Dimensions (piece packing)	Quantity (packing palett)
A465CK-50	8595580585884	0,47 14,01 412,3 kg	125×105×105 595×245×395 mm	30 840 pcs

Warranty
2/3 years *

Norms
EN 274

Technical specifications

- Flow rate 48 l/min
- Thermal resistance 95 °C
- Odour trap 50 mm