

# A564B

## Bath pop-up waste and trap, with overflow filler, white-polished

### Application

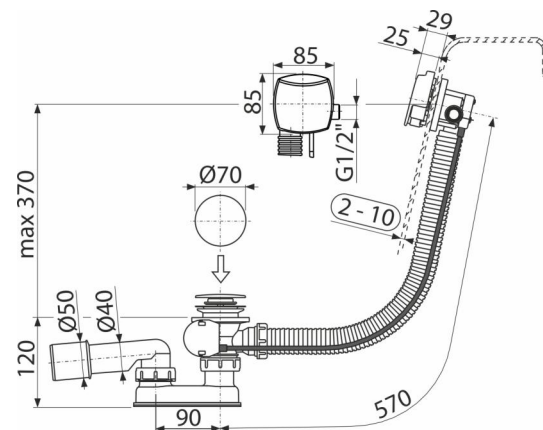
- For filling the bath by overflow
- To drain the water from the bath to the waste
- For bathtubs with drain outlet Ø52 mm
- For standard size bathtubs

### Features

- Side G1/2" fitting for filling of pre-mixed water
- The length of the bathtub trap 57 cm
- Overflow flexi pipe
- Easy installation with three stainless steel screws
- Material: metal with white-polished finish
- Space-saving design in the bathtub – visible only control knob
- Control shaft made of stainless steel
- Aerator Neoperl – easy access and exchange
- Closing waste by pop-up mechanism
- Bath overflow filler, waste and trap system
- Water does not flow down on the side of the bathtub and does not leave marks
- Wet odour trap with swivel elbow

### Scope of supply

- Assembly kit
- Chrome-plated metal control knob
- Chrome-plated metal plug
- Chrome-plated brass outlet grid
- Waste and trap body with overflow
- Profiled seal
- Odour trap of polypropylene, thermally and chemically resistant, longitudinally welded



### Order number, Logistic information

Code	EAN	Weight (piece   packing   palett)	Dimensions (piece   packing)	Quantity (packing   palett)
A564B	8595580586225	1,16   23,19   371,1 kg	380x95x210   595x435x395 mm	20   320 pcs

Warranty  
2/3 years \*

Norms  
EN 274

### Technical specifications

- Resistance of odour trap against the pressure 588 Pa
- Flow rate 48,6 l/min
- Overflow flow rate 33,6 l/min
- Thermal resistance 95 °C
- Odour trap 50 mm